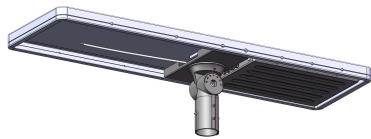


SOLAR LAMP

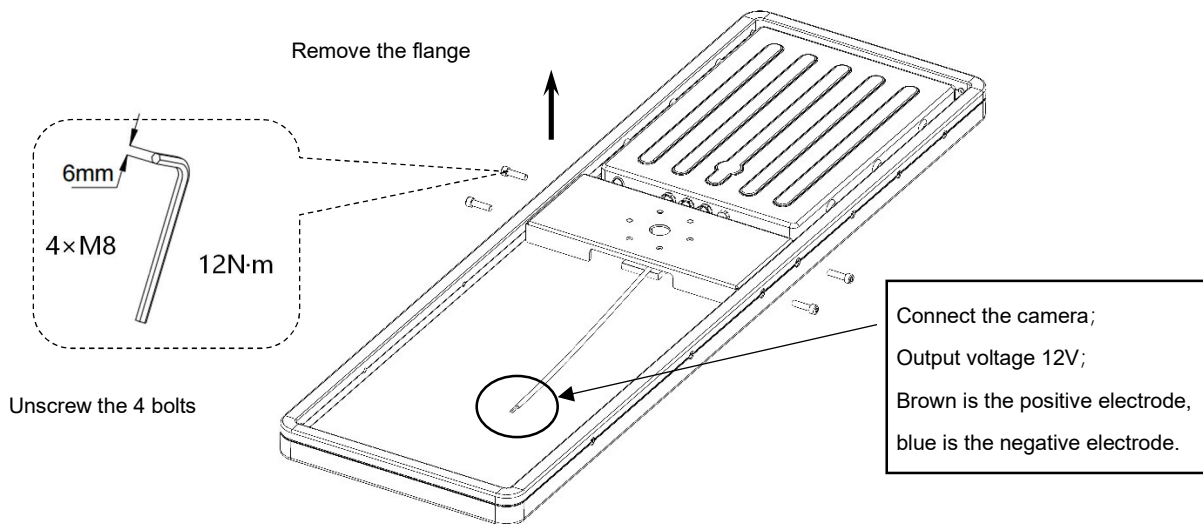
Installation manual



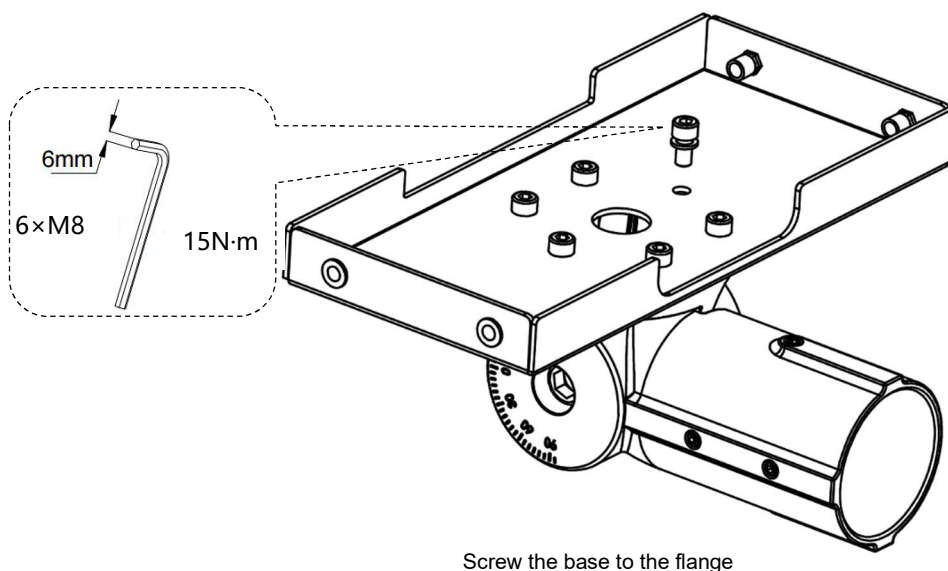
WARNING:

1. The safety of this fixture is guaranteed only if you comply with these instructions; remember to conserve a safe place.
2. Before opening the package, please check if there's damage or defect during transportation, if damage occurs, please don't use it and inform your supplier immediately. Please do not attempt to use a damaged product.
3. The product should be installed, dismantled and maintained by a qualified electrician; Suppliers don't take charge of any problems or damages that occur due to mishandling such as an operation not permitted in this manual.
4. Be certain electrical power is OFF before and during installation and maintenance.
5. Caution, risk of electric shock. ⚡

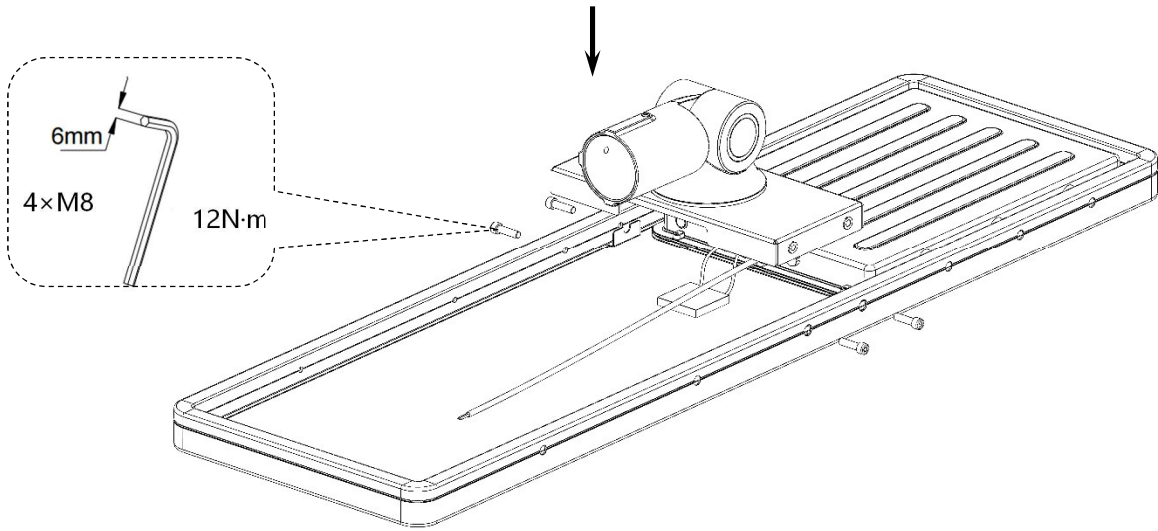
I



II

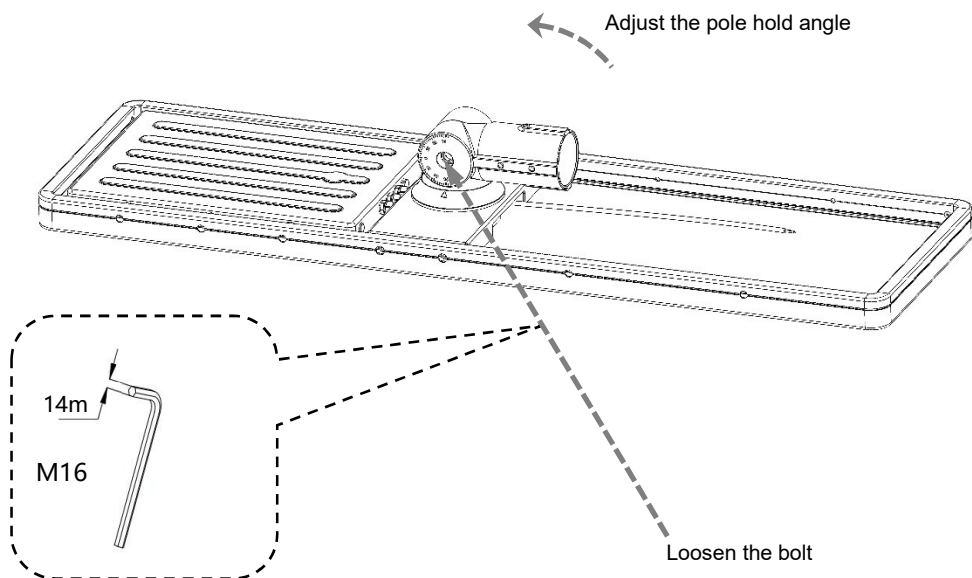


III

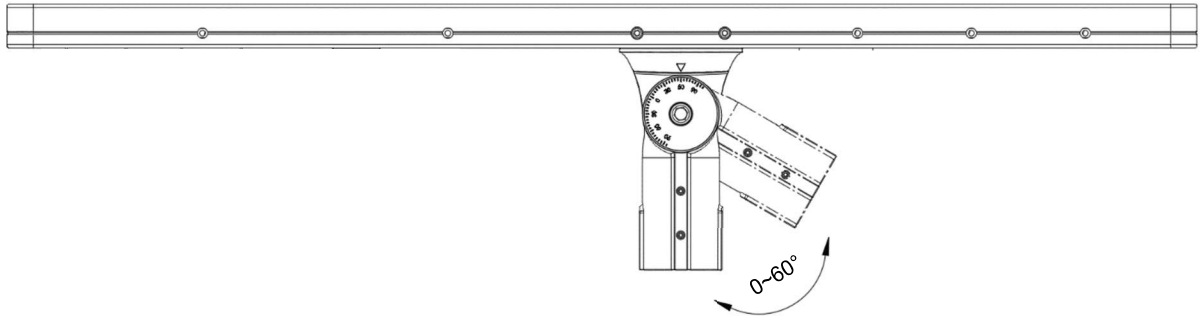


Install the flange base to the lamp

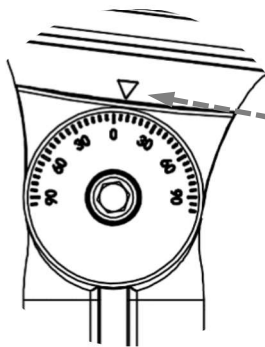
IV



V



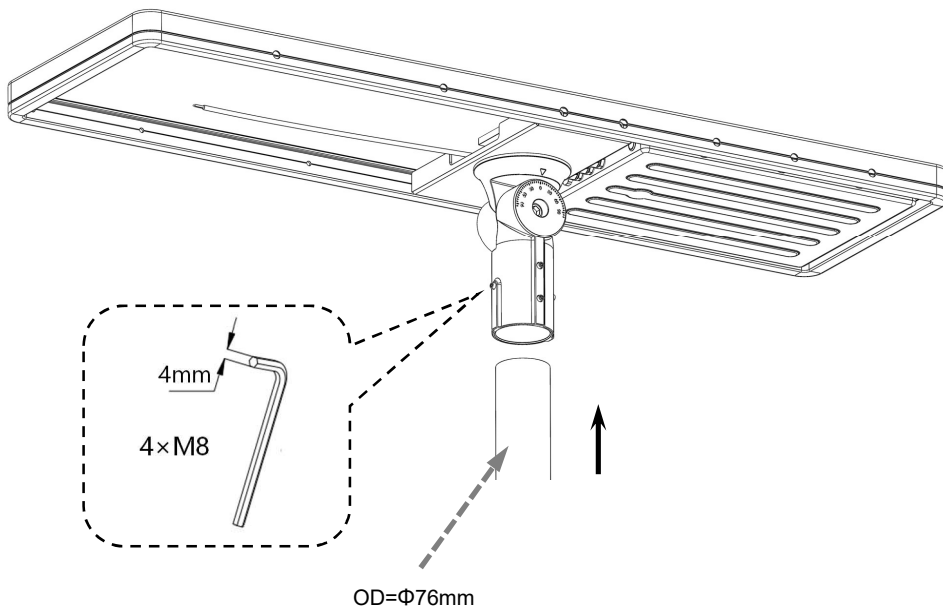
Adjust the pole hold angle



Triangle mark indicates angle

Adjust to the required angle

VI



Lamp mounted on the pole